
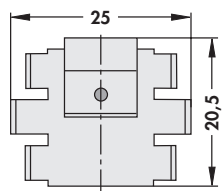
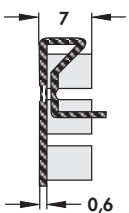

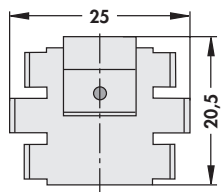
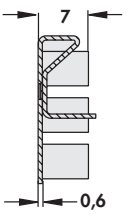

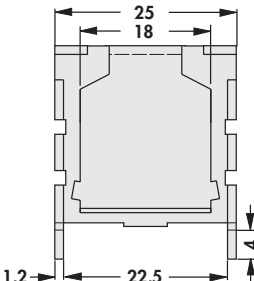
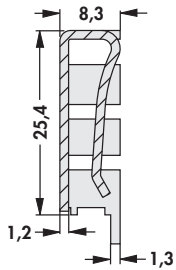


Attachable heatsinks


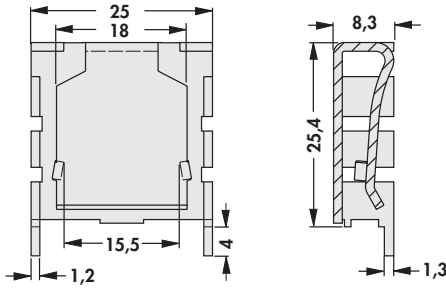
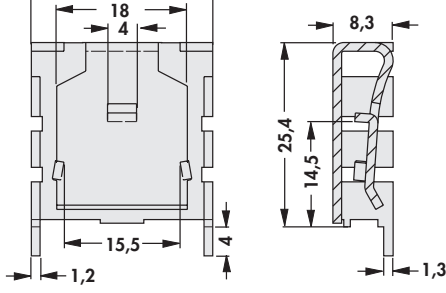
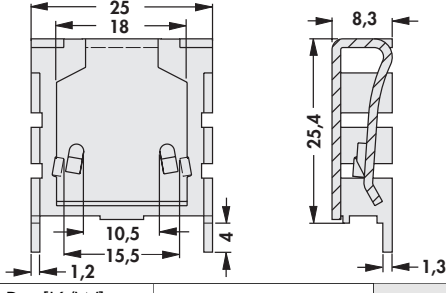
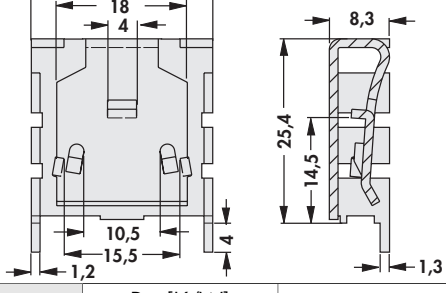
		
art. no.	R_{th} [K/W]	\diamond
FK 220 SA 220	25	TO 220
material:	aluminium	
surface:	black anodised	


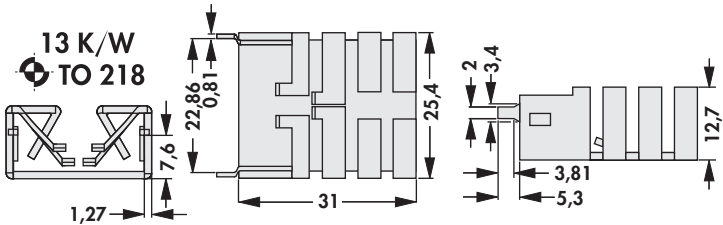

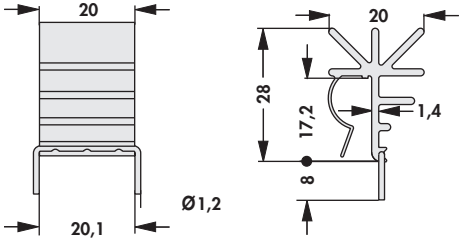
– for transistors with thin bottom thickness (0.5 mm)

		
art. no.	R_{th} [K/W]	\diamond
FK 258 SA 220	25	TO 220
material:	aluminium	
surface:	black anodised	

		
art. no.	R_{th} [K/W]	\diamond
FK 224 ... P SIP	18	P SIP
please indicate:	... surface	
	SA = black anodised	
	MI = solderable surface	
material:	aluminium	


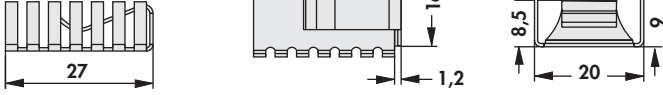

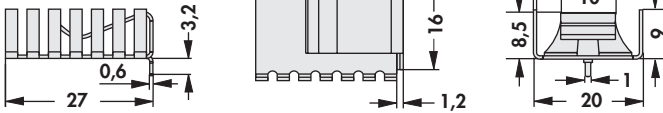

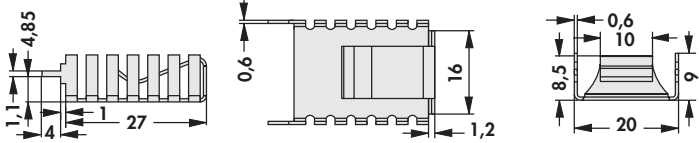

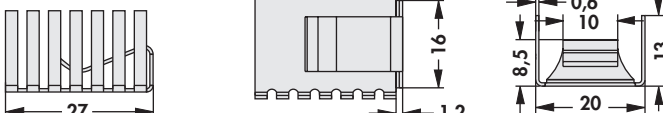

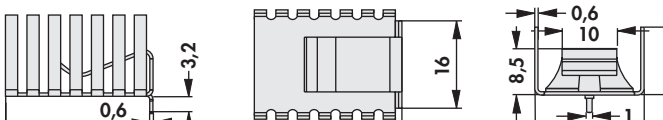


Attachable heatsinks

	FK 224 ... 218 1 		FK 224 ... 218 2 			
	FK 224 ... 220 1 		FK 224 ... 220 2 			
	art. no.	R_{th} [K/W]	\varnothing	art. no.	R_{th} [K/W]	\varnothing
	FK 224 ... 218 1	18	TO 218	FK 224 ... 220 1	18	TO 220
	FK 224 ... 218 2	18	TO 218	FK 224 ... 220 2	18	TO 220
please indicate: ... surface SA = black anodised MI = solderable surface						
material:		aluminium				

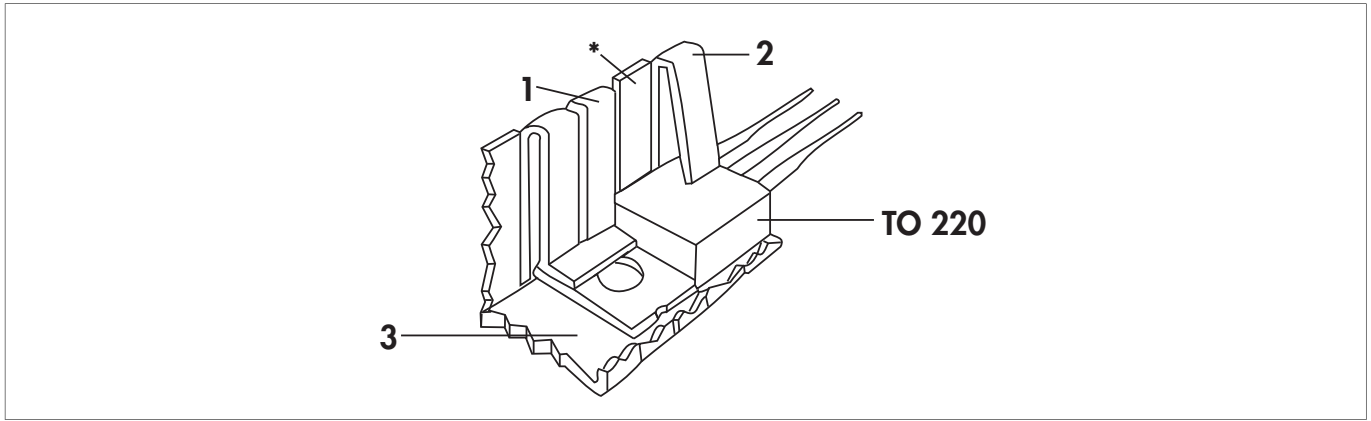
art. no.		13 K/W \varnothing TO 218 
FK 241 SA 218 V	with tin-plated soldering lug for direct soldering onto circuit board, for vertical installation	
art. no.		9,8 K/W \varnothing TO 220 
FK 248 SA 220		
material:		aluminium
surface:		black anodised, solder pins tin plated

Attachable heatsinks


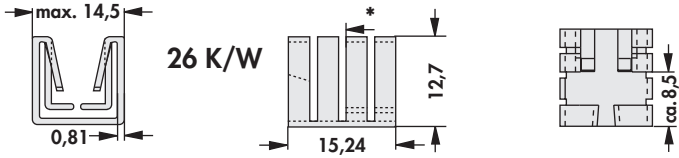

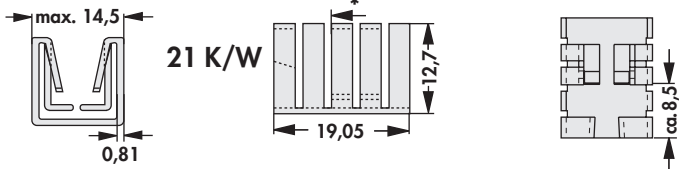

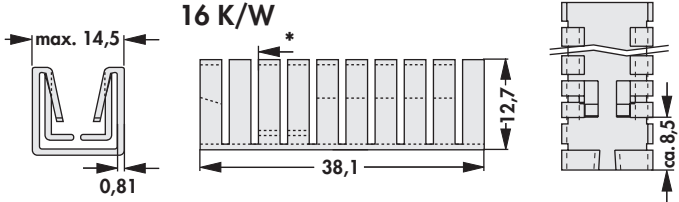
- universal clip on heatsinks for type TO 218, TO 229, TO 247, TO 248, SIP-Multiwatt and similar
- easy assembly by pushing the heatsink onto the component
- for vertical and horizontal fastening by soldering
- fin height variations on request
- special design accord. to customized specification

art. no. FK 245 MI 247 O		<p>20,2 K/W</p> 
art. no. FK 245 MI 247 H		<p>20,5 K/W</p> 
art. no. FK 245 MI 247 V		<p>19,7 K/W</p> 
art. no. FK 243 MI 247 O		<p>18,4 K/W</p> 
art. no. FK 243 MI 247 H		<p>19 K/W</p> 
art. no. FK 243 MI 247 V		<p>18,4 K/W</p> 
material: copper (Cu)		
surface: solderable surface		
material thickness: 0.6 mm		


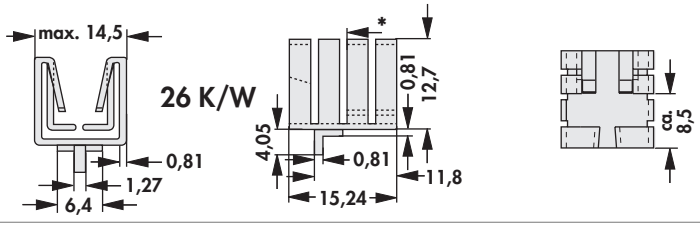

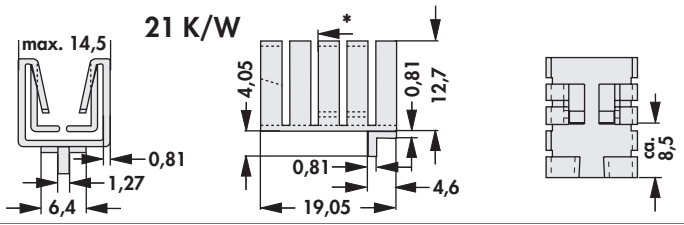

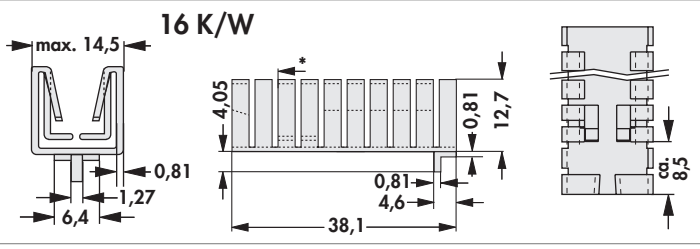
Attachable heatsinks




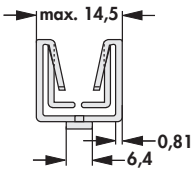
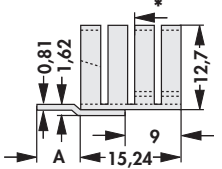
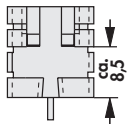

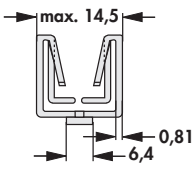
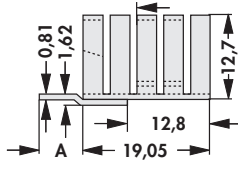
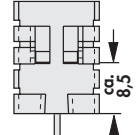

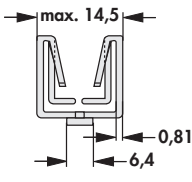
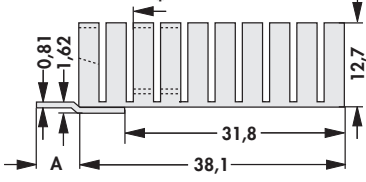
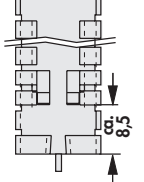
- narrow version with better thermal resistance
- max. 14.5 mm wide
- 3 different lengths for varied dissipation power
- takes less space than any other attachable heatsink
- simple assembly by pushing the heatsink onto the TO 220 housing
- the cooling fingers form spring clamps **(1+2)**, which pushes the TO 220 and its mounting flange onto the heatsink **(3)**
- optimum heat transfer due to the constant pressure on the entire contact surface of the TO 220 cases
- effective heat emission with horizontal and vertical mounting
- * = touch in edge of transistor

art. no. FK 242 SA 220 O	 without soldering lug	 <p>26 K/W</p>	
art. no. FK 237 SA 220 O	 without soldering lug	 <p>21 K/W</p>	
art. no. FK 240 SA 220 O	 without soldering lug	 <p>16 K/W</p>	
material: aluminium		surface: black anodised, solder pins tin plated	

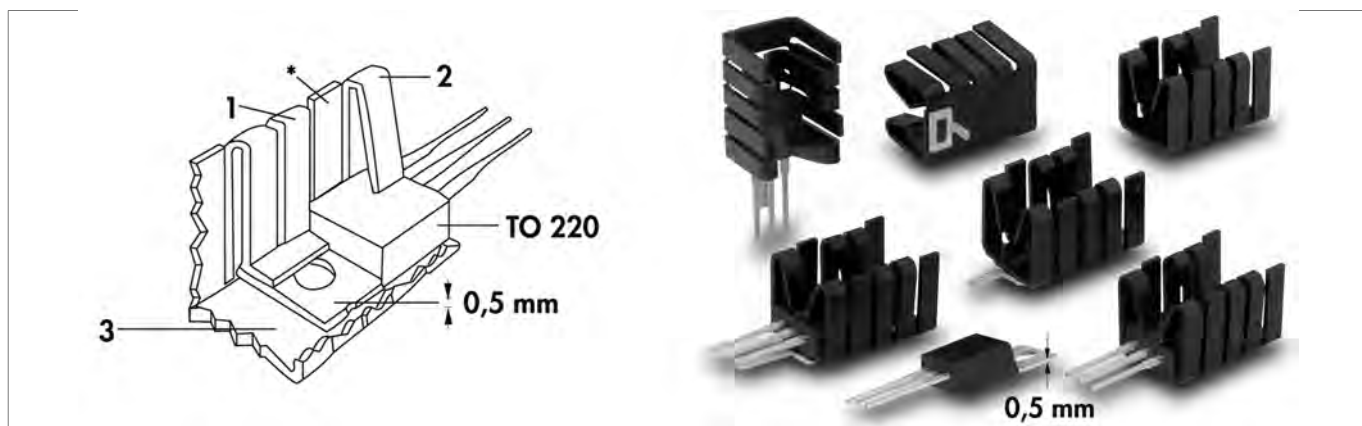
Attachable heatsinks

art. no.			26 K/W
FK 242 SA 220 H	with tinned soldering lug for direct soldering onto circuit board, for horizontal installation		
art. no.			21 K/W
FK 237 SA 220 H	with tinned soldering lug for direct soldering onto circuit board, for horizontal installation		
art. no.			16 K/W
FK 240 SA 220 H	with tinned soldering lug for direct soldering onto circuit board, for horizontal installation		
material:	aluminium		
surface:	black anodised, solder pins tin plated		


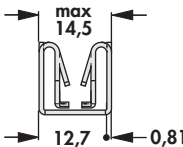
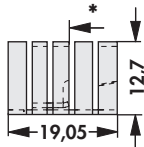
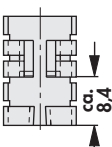

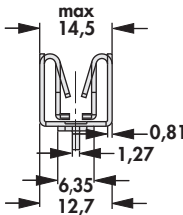
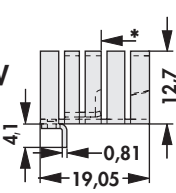
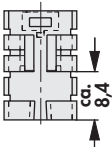
– with tinned soldering lug for direct soldering onto circuit board, for vertical installation

					
art. no.	A [mm]	R_{th} [K/W]	art. no.	A [mm]	R_{th} [K/W]
FK 242 SA 220 V	6.35	26	FK 242 SA 220 VL	9.53	26
					
art. no.	A [mm]	R_{th} [K/W]	art. no.	A [mm]	R_{th} [K/W]
FK 237 SA 220 V	6.35	21	FK 237 SA 220 VL	9.53	21
					
art. no.	A [mm]	R_{th} [K/W]	art. no.	A [mm]	R_{th} [K/W]
FK 240 SA 220 V	6.35	16	FK 240 SA 220 VL	9.53	16
material:	aluminium				
surface:	black anodised, solder pins tin plated				


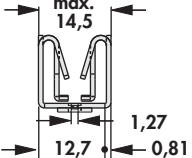
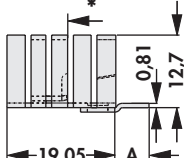
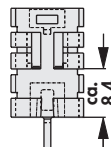
Attachable heatsinks for TO 220 with a bottom plate thickness of 0.5 mm




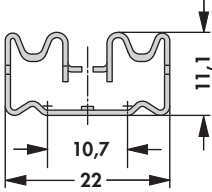
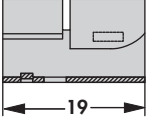
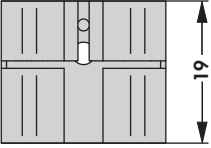

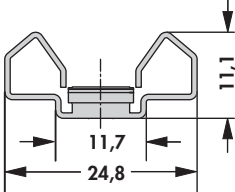
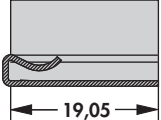
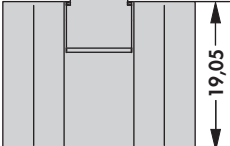

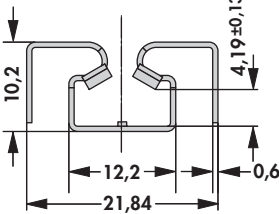
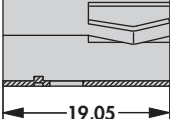
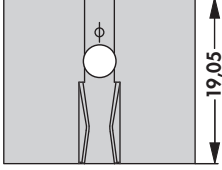
- narrow version with better thermal resistance
- max. 14.5 mm wide
- takes less space than any other attachable heatsink
- simple assembly by pushing the heatsink onto the TO 220 housing
- the cooling fingers form spring clamps (1+2), which pushes the TO 220 and its mounting flange onto the heatsink (3)
- optimum heat transfer due to the constant pressure on the entire contact surface of the TO 220 cases
- effective heat emission with horizontal and vertical mounting
- * = touch in edge of transistor

art. no.			21 K/W		
FK 252 SA 220 O	without soldering lug				
art. no.			21 K/W		
FK 252 SA 220 H	with tinned soldering lug for direct soldering onto circuit board, for horizontal installation				
material:	aluminium				
surface:	black anodised				

- with tinned soldering lug for direct soldering onto circuit board, for vertical installation

					
art. no.	A [mm]	R _{th} [K/W]	art. no.	A [mm]	R _{th} [K/W]
FK 252 SA 220 V	6.35	21	FK 252 SA 220 VL	9.53	21
material:	aluminium				
surface:	black anodised				

Attachable heatsinks

			
<p>art. no. FK 253</p>	<p>R_{th} [K/W] 23.7</p>	<p>☒ TO 220</p>	
			
<p>art. no. FK 255</p>	<p>R_{th} [K/W] 16.8</p>	<p>☒ TO 220</p>	
			
<p>art. no. FK 257</p>	<p>R_{th} [K/W] 21.2</p>	<p>☒ TO 220</p>	
<p>material:</p>	<p>aluminium</p>		
<p>surface:</p>	<p>black anodised</p>		